

VERTE ASSEMBLY INSTRUCTIONS

Thanks for purchasing your new RFM Seating chair. Here is information on how to assemble your chair the best possible way. Visit our website at www.rfmseating.com under our support tab for a pdf print out of this brochure.

PARTS

- | | |
|-----------------------|------------------------------------|
| 1. Seat (1) | 6. Can Cover (1) |
| 2. Back (1) | 7. Arms (2) Knobs (2) |
| 3. Hex Head Bolts (3) | 8. Back Adjustment Lock Paddle (1) |
| 4. Base (1) | 9. Set Screw (1) |
| 5. Cylinder (1) | 10. Allen Wrench (1) |

Remove all parts from carton, separate by part numbers indicated on the parts list, and verify part quantities. Determine your Verte model.

STEP 1. Locate the seat, the back and the three (3) Hex Head Bolts.

STEP 2. Invert the seat on table upside down. Slide the back bar into the mechanism receiver, line up the three holes and tighten the Hex Head Bolts into location using the correct wrench. *For the 11 Control use a 9/16" wrench. For the 05 Control use 1/2" wrench. (Not provided)

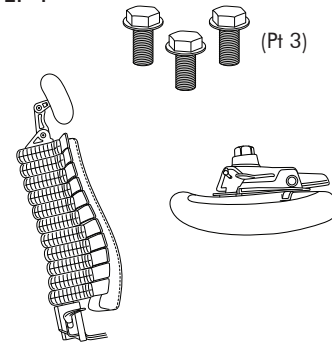
STEP 3. Place base with casters on the floor and push the cylinder into hole in center of the base with the tapered end down. Place plastic can cover on top of cylinder with the larger side down.

STEP 4. Insert cylinder into hole on seat control.

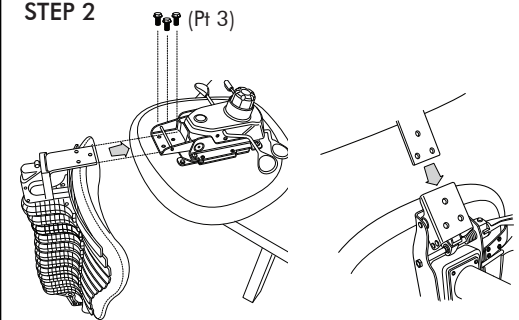
STEP 5. Once cylinder is inserted into the control, turn the chair over carefully, and sit on the seat to secure it together. Remove bracket knobs from arms, slide arms into the seat brackets and tighten knobs.

STEP 6. Slide the Back Adjustment Lock Paddle (Pt 8) onto the Back Adjustment Shaft (metal rod) located near the bottom of the back. Line up holes and using the provided Allen Wrench (Pt 10), thread the Set Screw (Pt 9) securing the Back Adjustment Lock Paddle.

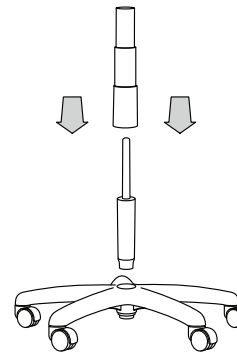
STEP 1



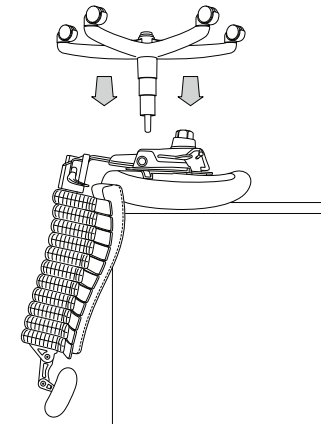
STEP 2



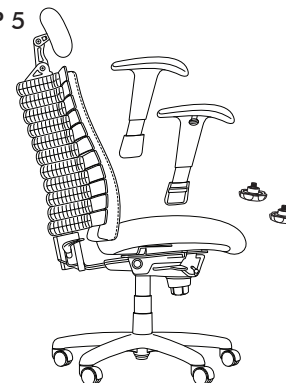
STEP 3



STEP 4



STEP 5



STEP 6

